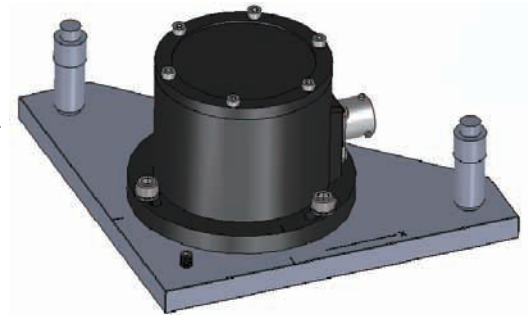


Adjustable base with micrometer screw

Features

- High resolution& accuracy& stability
- Only be used for testing and adjustment of the static environment
- Three-point adjustment, quick installation without considering the mounting surface
- Available to accurately measure small-angle changes
- Stainless steel material, high hardness, wear intensity
- Suite to SST300 series inclinometer



Performances

Adjustable base with micrometer screw is for carrying and fixing SST300 inclinometer of Accessories. When install SST300 device, user do not consider whether surface status, and can achieve to precise zero adjustment and quick installation by three-point adjustment via the micrometer screw.

Order number	SST003-01-04
Axis direction	Dual axis
Adjustment Angle range	$\pm 3^\circ$
Min. adjustable tilt angle	0.0024°
Micrometer screw scale range	0~13mm
Micrometer screw resolution	0.005mm
Material	304 stainless steel
Size	150x150x10mm
Temperature Range	40-85°C
Weight	1.5kg

Dimensions (mm)

